

SPECIFICATION

Electrical Characteristics	Ta = 25°C, 240Vrms input, standard reference lamp; unless otherwise specified
Class II, IP20	

Product Name		EMLED3/60/I 3000	EMLED3/60/I 4500
--------------	--	------------------	------------------

Input Parameters

Rated Input Voltage	Uin	220-240VAC	
Input Current	Iin	40mA	
Input Frequency	fin	50/60Hz	
Maximum Input Power	Pin	4.0W	
Power Factor	λ	0,5C	
Change of operation		165V	
No-load power		≤1.0W	
Inrush current		4.0A	
Turn on time		≤50ms	

Batteries

Battery type		Ni-Cd 3.6V 3.0Ah	Ni-Cd 3.6V 4.5Ah
Charge current		200mA	
Recharge hours		20	24

Output Parameters

Operating Frequency	Fsw	132KHz	
EM LED current LED		40-400mA	60--600mA
EM LED voltage LED		6-60V	
EM LED power LED		2.4W	3.6W

System Parameters

Storage Temperature	ts	-20 ...+ 70°C	
Operating Ambient Temperature	ta	-25...+ 50°C	
Max.casing temperature tc	tc	70°C	
Relative humidity		5 ...85%	
Dimensions(LxWxH):		L x W x H: 200 x 42 x 28 mm	
Withstand voltage		0.5KVAC	
Average Service Life		30,000Hours	

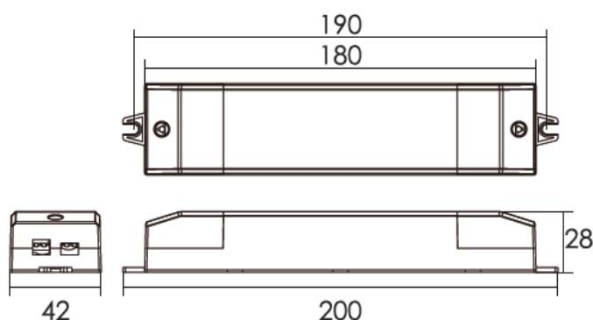
Compliances and approvals

RI suppression		EN55015
Harmonics		EN 61000-3-2
Voltage Flicker		EN 61000-3-3
Immunity		EN 61547
Safety		EN 61347-1 ; EN 61347-2-7

Note

1. All parameters NOT specially mentioned are measured at 240VAC input, rated load and 25°C of ambient temperature.
2. Average Service Life:The number of hours when 50% of any large group of drivers have failed.

Physical Parameter



Housing Material:PC Plastic

Wiring Diagram

