



LED Emergency Light Converter

EC-BP Series

Product description

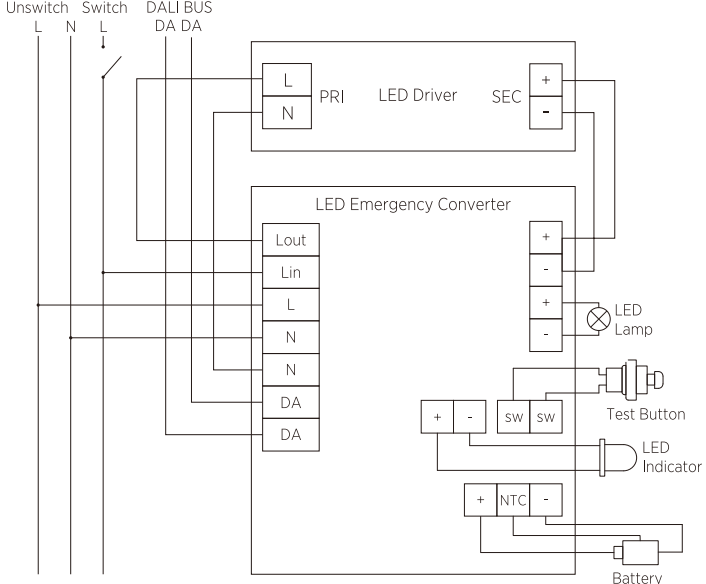
- Self-contained LED emergency converter with DALI interface & automatic test function
- Intelligent automatic recharging function
- Constant power output
- For LED modules with a forward voltage 50-300V
- Low profile casing (21 x 30 mm cross-section)
- 1, 2 or 3h rated duration
- Lithium batteries (LiFePO4)
- Protection against temporary thermal overheating of the battery
- Over discharge protection
- Test button and charging indicator
- Optional built-in or independent
- Protection class II

- 具有DALI接口和自动测试功能的自给式LED应急转换器
- 智能自动充电功能
- 恒定输出功率
- 匹配50-300V的LED光源
- 薄型外壳（横截面积21x30mm）
- 1/2/3小时应急时间可选
- 锂电池（LiFePO4）
- 电池温度管理
- 电池过放保护
- 测试按钮和充电指示灯
- 可选内装式和独立式
- 保护等级 II



LiFePO4

Applications

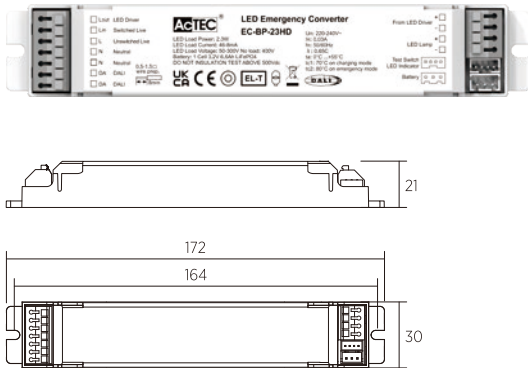


Converter

PARAMETERS

Technical data 技术参数	EC-BP-23HD	EC-BP-30HD	EC-BP-32HD	EC-BP-40HD
Rated supply voltage 额定电压	220-240V~	220-240V~	220-240V~	220-240V~
Frequency 额定频率	50/60Hz	50/60Hz	50/60Hz	50/60Hz
Input current 输入电流	30mA	30mA	30mA	40mA
Input power 输入功率	3.5W	3.5W	3.5W	4W
Power factor 功率因数	0.65C	0.65C	0.65C	0.65C
Response time 响应时间	<0.5S	<0.5S	<0.5S	<0.5S
Charge current 充电电流	250mA	250mA	250mA	300mA
Emergency LED current 应急电流	46-8mA	60-10mA	64-11mA	80-13mA
Emergency LED voltage 应急电压	50-300V	50-300V	50-300V	50-300V
Emergency LED power 应急功率	2.3W	3.0W	3.2W	4.0W
Ambient temperature ta 环境温度	0...+60°C	0...+60°C	0...+60°C	0...+60°C
Max. casing temperature tc 最大外壳温度	85°C	85°C	85°C	85°C
Material 材质	PC	PC	PC	PC
Dimensions LxWxH 尺寸	172x30x21mm	172x30x21mm	172x30x21mm	172x30x21mm
Fixing centre D 安装孔距	164mm	164mm	164mm	164mm
* Battery data				
1h Emergency LED power time 1h应急时间	LiFePO4 3.2V 1.5Ah	LiFePO4 3.2V 3.3Ah	LiFePO4 3.2V 3.3Ah	LiFePO4 3.2V 3.3Ah
2h Emergency LED power time 2h应急时间	LiFePO4 3.2V 3.3Ah	LiFePO4 3.2V 3.8Ah	LiFePO4 3.2V 6.6Ah	LiFePO4 3.2V 6.6Ah
3h Emergency LED power time 3h应急时间	LiFePO4 3.2V 6.6Ah	LiFePO4 3.2V 6.6Ah	LiFePO4 3.2V 6.6Ah	LiFePO4 3.2V 7.2Ah
Recharge hours 充电时间	* 16h battery charging time for 2h emergency lighting function according to AS 2293			

Line drawing(mm)

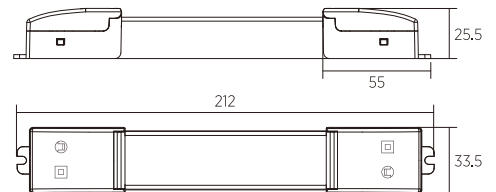


Optional accessories

Strain Relief



AC-SR01



AC-SR01 CLIP-ON PA(pre assembled)

Test button & status indication LED

Red/Green LED (EU)
Yellow/Green LED (AU)
Mounting hole 6.5mm dia

